

P



SERIE P

COCLEA: Stampata in materiali: PP - PPS - PPEl - PE - PEes - PEel .

GIRANTE: A pale rovescine stampata - in materiali: PP - PPS - PPEl - PVDF

SUPPORTO MOTORE: In lamiera di acciaio con verniciatura epossidica o in acciaio Inox

MOTORE: Forma B5 in esecuzione 5 - Viteria: Acciaio Inox.

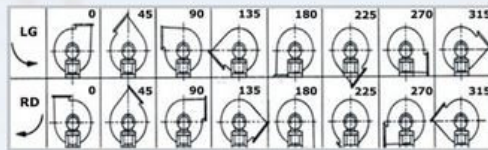
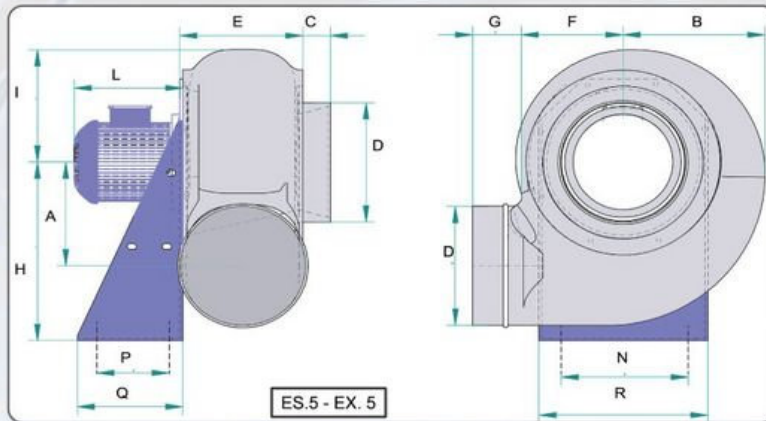
P RANGE

HOUSING: Moulded: PP - PPS - PPEl - PE - PEes - PEel .

IMPELLER: Backward curved blades completely moulded - materials: PP - PPS - PPEl - PVDF

MOTOR SUPPORT: Made of epoxy painted steel or stainless steel.

MOTOR: B5 for execution 5 - Screws: Stainless steel.



Il ventilatore è orientabile - The fan is revolvable

* Completo di motore - * Motor Included																				
** Completo di motore EExd - ** EExd Motor included																				
Tipo/Type	Mot.Gr. Size	Mot. Kw	Giri Rpm	A	B	C	Ø	E	F	G	H	I	L	N	P	Q	R	S	KG.*	KG.**
P 204	63	0.12	1370	140	180	40	160	150	138	60	250	150	190	200	100	140	235	11	9	17
P 202	63	0.18	2750	140	180	40	160	150	138	60	250	150	195	200	100	140	235	11	9	17
P 224	63	0.12	1370	183	228	40	200	180	170	80	310	190	190	255	100	140	290	11	10	18
P 222	63	0.25	2800	183	228	40	200	180	170	80	310	190	210	255	100	140	290	11	13	24
P 254	63	0.12	1370	183	228	40	200	180	170	80	310	190	190	255	100	140	290	11	10	18
P 252	71	0.37	2800	183	228	40	200	180	170	80	310	190	210	255	100	140	290	11	13	24
P 284	63	0.18	1370	208	255	40	225	190	190	80	350	210	190	277	120	190	320	11	14	23
P 282	80	0.75	2850	208	255	40	225	190	190	80	350	210	230	277	120	190	320	11	19	33
P 316	71	0.18	930	240	280	40	250	200	210	80	410	230	210	320	150	230	355	11	19	30
P 314	71	0.25	1400	240	280	40	250	200	210	80	410	230	210	320	150	230	355	11	19	30
P 312	90	1.50	2850	240	280	40	250	200	210	80	410	230	245	320	150	230	355	11	26	45
P 356	71	0.18	930	260	312	40	280	220	230	80	445	270	210	350	150	230	385	11	23	34
P 354	71	0.37	1400	260	312	40	280	220	230	80	445	270	210	350	150	230	385	11	23	34
P 352	90	2.20	2870	260	312	40	280	220	230	80	445	270	270	350	150	230	385	11	32	51
P 406	71	0.25	920	290	352	40	315	240	264	80	495	295	210	330	170	250	370	11	30	41
P 404	80	0.55	1410	290	352	40	315	240	264	80	495	295	230	330	170	250	370	11	33	47
P 456	80	0.37	920	324	392	40	355	265	290	80	550	330	230	370	170	250	410	11	37	51
P 454	90	1.10	1410	324	392	40	355	265	290	80	550	330	245	370	170	250	410	11	40	61
P 452	100	4.0	2860	324	392	40	355	265	290	80	550	330	310	370	170	250	410	11	57	72

