

PC



SERIE PC

COCLEA: Costruita in materiali: PP - PPS - PPEl.

GIRANTE: A pale curve positive completamente stampata in materiali: PP - PPS - PVDS

SUPPORTO MOTORE: In lamiera di acciaio con verniciatura epossidica, o in acciaio Inox

MOTORE: forma B5 in esecuzione 5 - VITERIA: Acciaio Inox

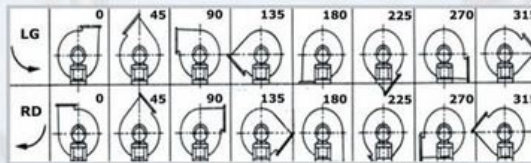
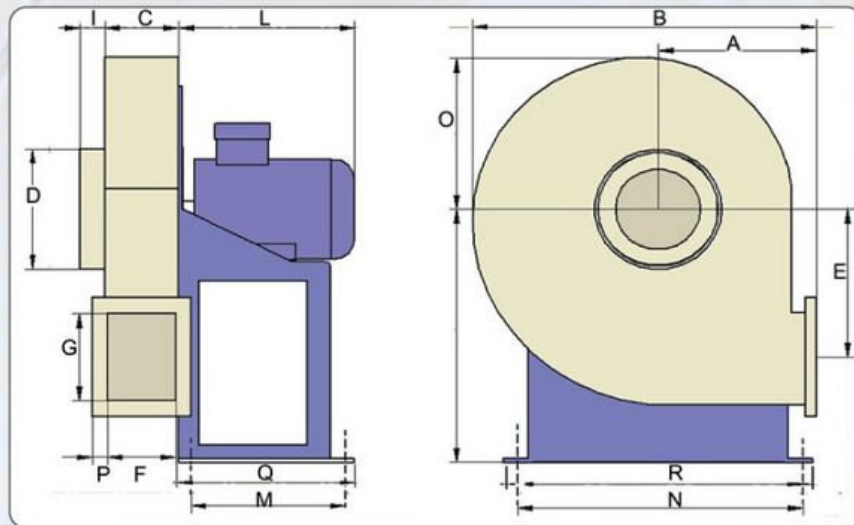
PC RANGE

CASING: Manufactured in materials: PP - PPS - PPEl - PE - PEs - PEel.

IMPELLER: Forward curved blades completely moulded. Available in PP - PPS - PVDF

MOTOR SUPPORT: Made of epoxy painted steel or stainless steel.

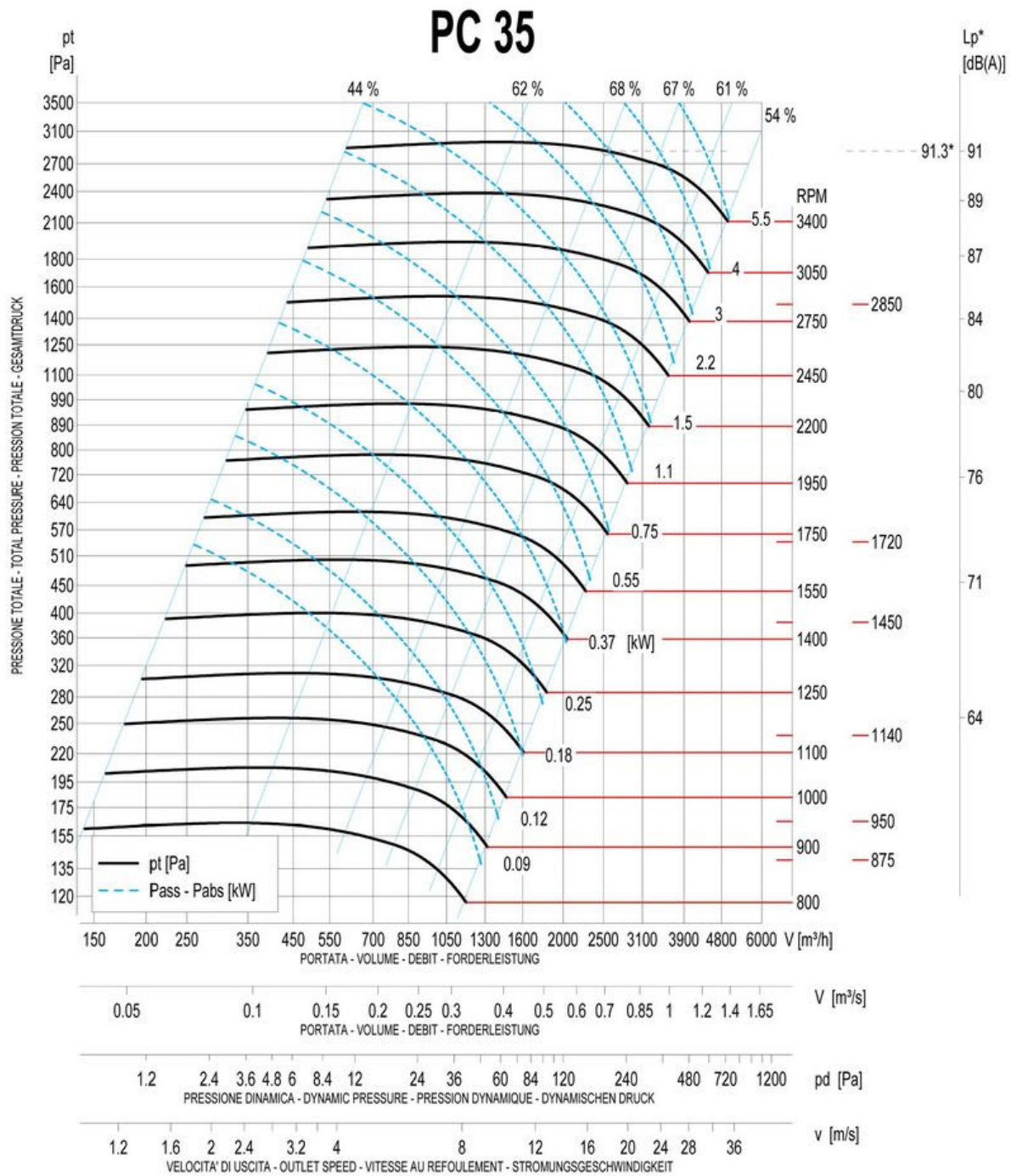
MOTOR: B5 for execution 5 - SCREWS: Stainless steel



Il ventilatore è orientabile - The fan is revolvable

*Completo di motore - Motor included

Tipo/Type	Mot.Gr. Size	Mot. Kw	Giri Rpm	A	B	C	Ø	E	F	G	H	I	L	M	N	O	P	Q	R	KG.*
PC 352	90	2.2	2850	271	598	175	225	275	165	220	445	50	270	150	350	285	40	230	385	50
PC 354	71	0.37	1450	271	598	175	225	275	165	222	445	50	210	150	350	285	40	230	385	40
PC 452	132	9	2850	340	722	220	280	292	200	300	550	50	480	170	370	350	40	250	410	65
PC 454	90	1.5	1450	340	722	220	280	292	200	300	550	50	260	170	370	350	40	250	410	55
PC 504	100	2.2	1450	400	890	270	315	377	250	366	630	50	355	197	290	395	50	275	340	100
PC 506	90	0.75	900	400	890	270	315	377	250	366	630	50	320	197	290	395	50	275	340	90
PC 564	132	5.5	1450	438	998	320	400	416	300	466	710	50	480	237	289	445	50	315	340	115
PC 566	112	2.2	900	438	998	320	400	416	300	466	710	50	380	237	289	445	50	315	340	95
PC 634	132	7.5	1450	468	1041	340	450	406	320	462	800	50	480	237	337	492	50	315	390	165
PC 636	132	3	900	468	1041	340	450	406	320	462	800	50	480	237	337	492	50	315	390	150
PC 704	160	11	1450	500	1190	430	500	527	400	490	850	50	550	316	772	571	50	400	836	300
PC 804	200	30	1450	540	1300	480	560	591	450	550	950	50	640	360	862	640	50	440	940	390



RPM	Livello potenza sonora totale - Total sound power level - Gesamt schalleistungspegel - Niveau totale de puissance sonore - [dB] *								Lp* dB(A)
	Banda d'ottava - Octave band - Oktav-Band - Bande d'octave [Hz]								
	63	125	250	500	1000	2000	4000	8000	
2000	92.3	94.3	92.3	93.3	89.3	84.3	76.3	68.3	79.7
2300	95.4	97.4	95.4	96.4	92.4	87.4	79.4	71.4	82.8
2600	98.1	100.1	98.1	99.1	95.1	90.1	82.1	74.1	85.7
2900	100.5	102.5	100.5	98.5	100.5	92.5	84.5	76.5	88.3
3400	104	106	104	102	104	96	88	80	91.3

(*) Al massimo rendimento - At max. efficiency - (Distanza-distance-Abstand-distance : 1.5 [m])

Temperatura - Temperature - Temperatur - Température : 15 [°] - Densità - Density - Bezugsdichte - Densité : 1.225 [kg/m³]

Tolleranza sulla portata ±5% - Capacity tolerance ±5% - Tolérance sur le débit ±5% - Fördertoleranz ±5%

I valori relativi alla rumorosità sono riferiti ad una misurazione in campo libero, con una tolleranza di +3 dB(A)

Noise values refer to a free field measurement with a tolerance of +3 dB(A)

Les valeurs relatives à la bruyance se réfèrent à un mesurage en champ libre, avec une tolérance de +3 dB(A)

Die die Geräuschentwicklung betreffenden Werte beziehen sich auf eine Freifeld-Messung bei einer Tolleranz von +3 dB(A)