



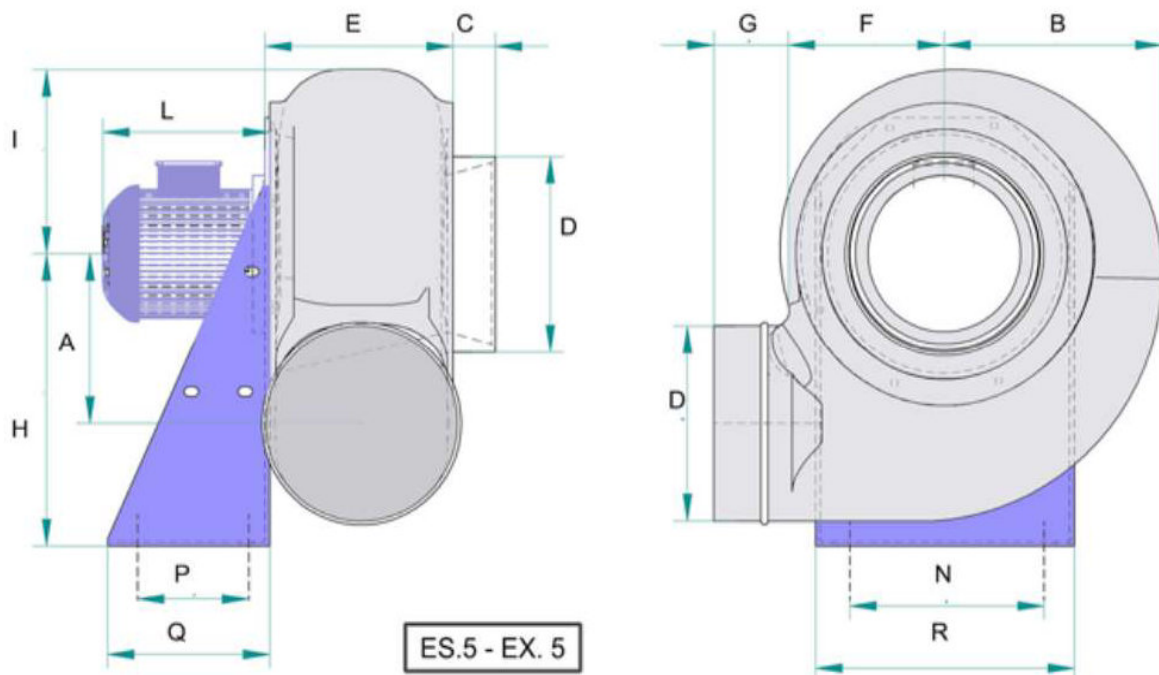
"PQ" Series

HOUSING: Moulded in materials: PP - PPS - PPel - PE - PEes - PEel .

IMPELLER: Backward curved blades completely moulded - materials: PP - PPS - PPel - PVDF

MOTOR SUPPORT: Made of epoxy painted sheet steel or stainless steel.

Type	Mot.Gr. Size	Mot. KW	Giri RPM	A	B	C	Ø	E	F	G	H	I	L	N	P	Q	R	S	KG.*	KG.**
PQ 45	132	7,5	2860	324	392	40	355	265	290	80	550	330	400	370	270	335	410	11	85	128



The fans is revolvable - * Motor included ** EExd Motor included

