

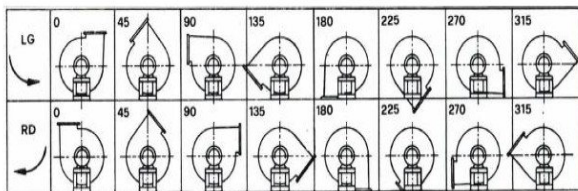
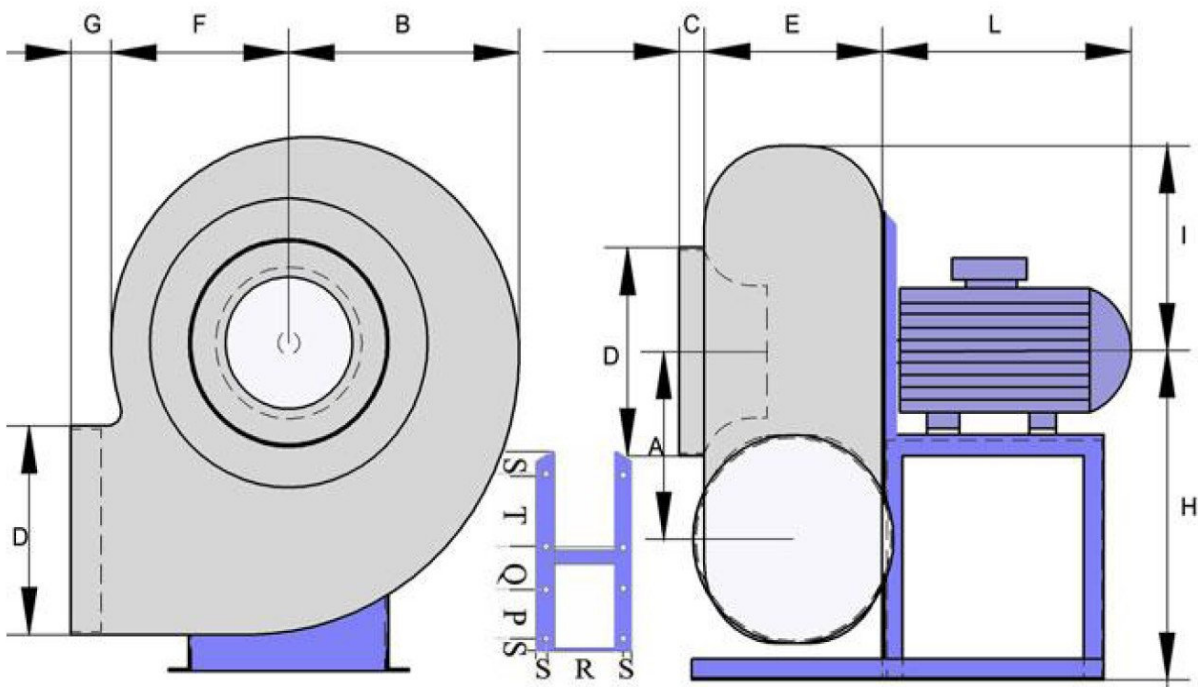


" PQ " RANGE

HOUSING: Moulded in materials: PP - PPS - PPEl - PE - PEes - PEel.

IMPELLER: Backward curved blades completely moulded: PP - PPS - PPEl - PVDF.

MOTOR SUPPORT: Made of epoxy painted steel or stainless steel.



ES.4 - EX.4

Tipo	Mot.Gr.	Mot. Kw	Giri	A	B	C	ØD	E	F	G	H	I	L	P	Q	R	S	T	KG.*	KG.**
PQ																				
502	160	11	2850	360	460	50	400	355	355	80	630	395	550	380	53	440	25	335	220	253
PQ	90	1.50	1450										300	197		290			130	152
504																				

The fans is revolvable - * Motor Included - ** EExd Motor Included

