

### PR 50-140



#### SERIE PR 50-140

COCLEA: Costruita in materiali: PP - PPS - PPEl - PE - PEes - PEel .

GIRANTE: A pale Rovescie costruita in materiali: PP - PVC - acciaio Inox  
acciaio rivestito in ebanite o fibra di vetro

SUPPORTO: In lamiera di acciaio con verniciatura epossidica, o in acciaio Inox

MOTORE: Forma B3 Viteria: Acciaio Inox.

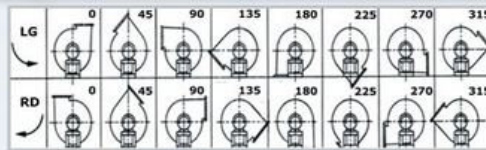
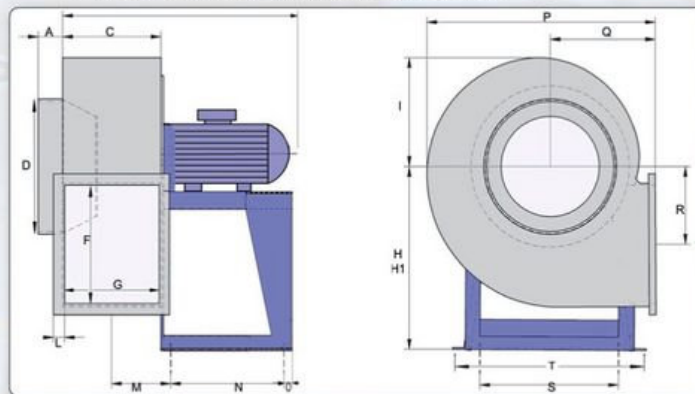
#### PR 50-140 RANGE

HOUSING: Manufactured of: PP - PPS - PPEl - PE - PEes - PEel .

IMPELLER: Welded backward curved blades - materials: PP - PVC  
stainless steel - steel with ebonite or fiberglass covering.

MOTOR SUPPORT: Made of epoxy painted steel or stainless steel.

MOTOR: B3 Frame - Screws: Stainless steel.



Il ventilatore è orientabile - The fan is revolvable  
\*Completo di Motore - \*Motor included

Tipo/Type	Mot.Gr. Size	Mot. Kw	Giri Rpm	A	B	C	D	F	G	H	H1	I	L	M	N	O	P	Q	R	S	T	KG.*
P502 R	132 160	9 15	2900	80	810 950	400	400	400	350	630		400	50	215	345 380	25	860	380	360	385 440	395 490	130 190
P 504 R	100	2.2	1420	80	725	400	400	400	350	630		400	50	215	197	25	860	380	360	290	340	110
P 506 R	80	0.55	880	80	725	400	400	400	350	630		400	50	215	197	25	860	380	360	290	340	100
P562 R	160 180 200	18.5 22 30	2900 2900 2900	80	1000 1050 1090	450	450	450	400	710		450	50	235	380 450 520	25	970	420	400	440 440 540	490 490 590	210 250 320
P 564 R	112	4	1420	80	780	450	450	450	400	710		450	50	235	237	25	970	420	400	289	339	130
P 566 R	90	1.1	880	80	740	450	450	450	400	710		450	50	235	237	25	970	420	400	289	339	110
P 632 R	180 200	22 30/37	2920 2920	80	1050 1090	550	500	500	450	800		500	50	265	450 520	25	1110	500	445	440 540	490 590	290 350
P 634 R	132	5.5	1450	80	850	550	500	500	450	800		500	50	265	237	25	1110	500	445	337	387	180
P 636 R	112	2.2	950	80	780	550	500	500	450	800		500	50	265	237	25	1110	500	445	337	387	165
P 714 R P 716 R	160 L 132 M	15 4	1450 930	80	1083 945	600	710	560	500	850	700	570	50	300	316	40	1190	500	500	772	826	340 290
P 804 R P 806 R	180 L 160 M	22 7.5	1460 960	80	1200 1100	660	800	630	560	950	780	640	50	331	360	40	1350	560	560	862	926	430 390
P 904 R P 906 R	225 M 180 L	45 15	1470 960	80	1380 1270	730	900	710	630	1060	870	720	50	360	440	40	1500	630	630	962	1026	680 540
P 1004 R P 1006 R	280 S 200 L	75 22	1480 950	100	1640 1450	820	1000	800	710	1180	980	815	60	415	590	40	1700	725	710	1056	1128	850 700
P 1104 R P 1106 R P 1108 R	315 S 250 M 225 S	110 37 18.5	1480 980 730	150	1700 1560 1520	910	1100	900	800	1320	1100	920	60	460	590	40	1900	820	820	1178	1300	1150 980 860
P 1256 R P 1258 R	280 M 250 M	55 30	980 730	150	1920 1800	1000	1250	1000	900	1500	1200	1000	80	510	590	40	2110	900	920	1180	1300	1630 1450
P 1356 R P 1358 R	315 M 280 M	90 45	970 730	150	2050 2030	1100	1400	1100	1000	1700	1350	1115	80	560	650	40	2350	1000	1020	1450	1530	2080 1960