



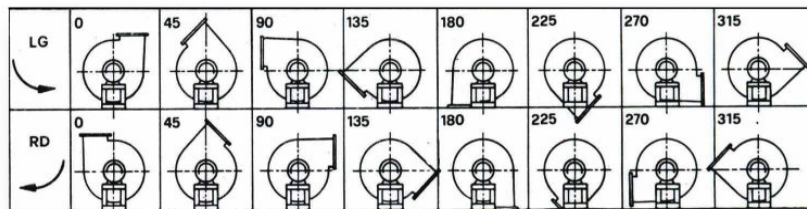
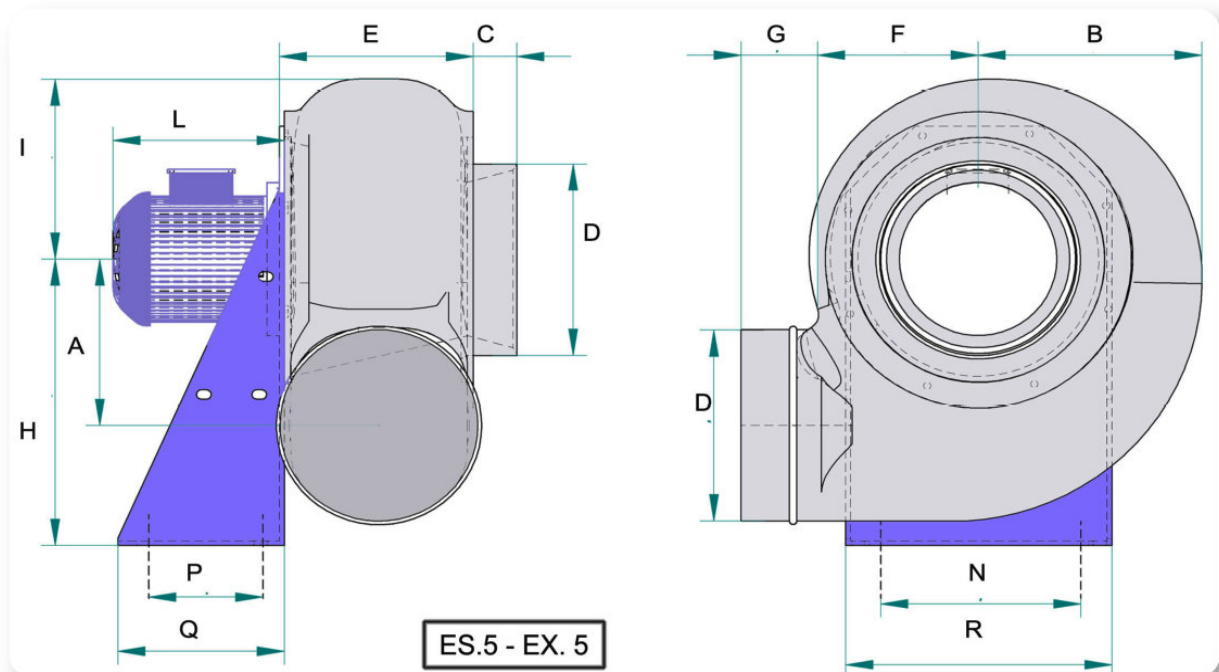
Construction Characteristics "P" series

HOUSING: Completely moulded without welding - materials:PP - PPS - PPEl - PE - PEes - PEel .

IMPELLER: Backward curved blades completely moulded - materials:PP - PPS - PPEl - PVDF

MOTOR SUPPORT: Made of epoxy painted sheet steel or stainless steel

MOTOR: B5 for execution 5 - SCREWS: Made of stainless steel.



*Completo di Motore. Il Ventilatore è orientabile. / The fans is revolvable *Motor included

Tipo	Mot.Gr Size	M0t KW	Giri RPM	A	B	C	∅	E	F	G	H	I	L	N	P	Q	R	S	KG.*	KG.**	
P 356	71	0.18	930										210							23	34
P 354	71	0.37	1400	260	312	40	280	220	230	80	445	270	210	350	150	230	385	11	23	34	
P 352	90	2.20	2870										270							32	51

