

PA



SERIE PA

COCLEA: Stampata in materiali: PP - PPS - PPel - PE - PEes - PEel .

GIRANTE: Costruita in lamiera di Acciaio Inox, con Pale Curve in avanti

SUPPORTO : In lamiera di acciaio con verniciatura epossidica

o in acciaio Inox

MOTORE: Forma B5 in esecuzione 5.

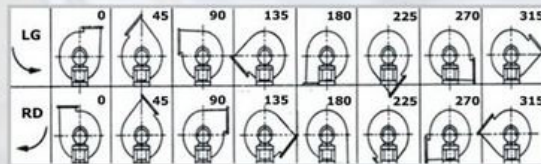
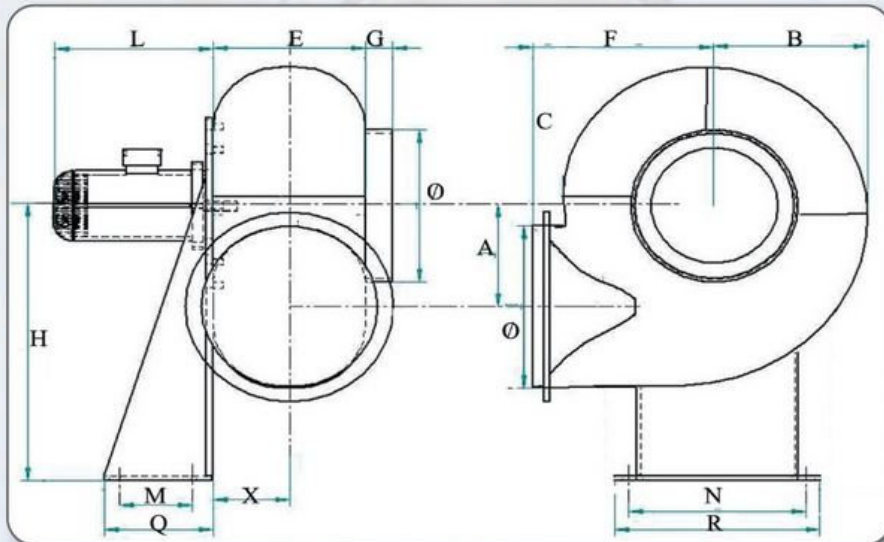
PA RANGE

HOUSING: Moulded: PP - PPS - PPel - PE - PEes - PEel.

IMPELLER: Made of stainless steel, with forward curved blades.

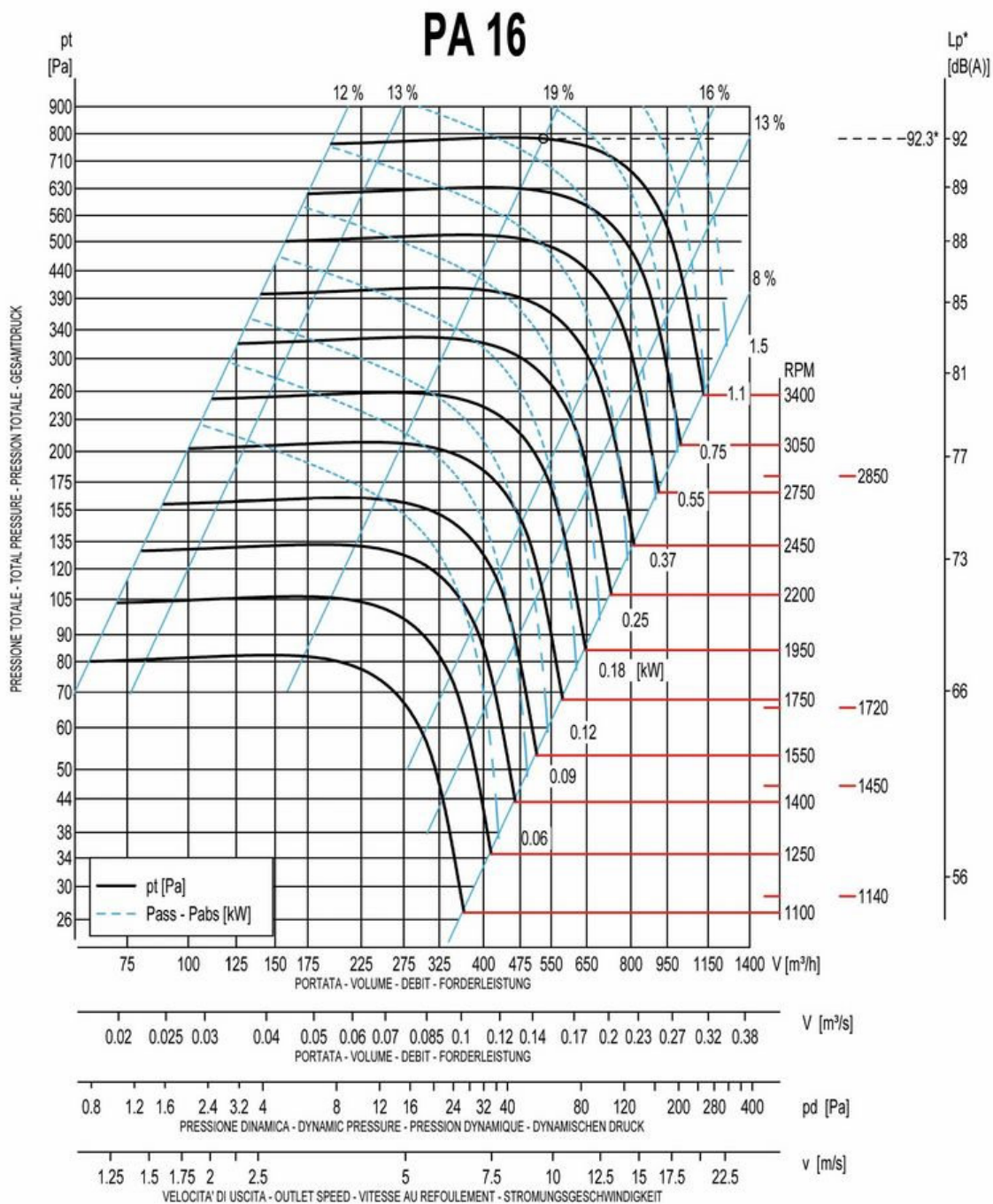
MOTOR SUPPORT: Made of epoxy painted steel or stainless steel.

MOTOR: B5 for execution 5.



Il ventilatore è orientabile - The fan is revolvable

| * Completo di motore - * Motor included | | | | | | | | | | | | | | | | | | | |
|---|--------------|---------|----------|-----|-----|-----|-----|-----|-----|-----|----|-----|-----|-----|-----|----|-----|-----|------|
| Tipo/Type | Mot.Gr. Size | Mot. Kw | Giri Rpm | A | B | C | Ø | Ø | E | F | G | H | L | M | N | P | Q | R | KG.* |
| PA 132 | 63 | 0.18 | 2900 | | 125 | 110 | 125 | 125 | 100 | 110 | 20 | 170 | 190 | 50 | 210 | 67 | 85 | 240 | 5.5 |
| PA 134 | 63 | 0.12 | 1400 | 95 | 125 | 110 | 125 | 125 | 100 | 110 | 20 | 170 | 190 | 50 | 210 | 67 | 85 | 240 | 5.0 |
| PA 162 | 71 | 0.37 | 2900 | 110 | 140 | 130 | 140 | 140 | 120 | 150 | 30 | 205 | 190 | 80 | 240 | 80 | 120 | 275 | 9.5 |
| PA 164 | 63 | 0.12 | 1400 | 110 | 140 | 130 | 140 | 140 | 120 | 150 | 30 | 205 | 215 | 80 | 240 | 80 | 120 | 275 | 9.0 |
| PA 202 | 80 | 1.10 | 2900 | 140 | 180 | 155 | 200 | 160 | 150 | 230 | 30 | 250 | 195 | 100 | 195 | 95 | 140 | 225 | 18 |
| PA 204 | 71 | 0.25 | 1400 | 140 | 180 | 155 | 200 | 160 | 150 | 230 | 30 | 250 | 250 | 100 | 195 | 95 | 140 | 225 | 10 |



| Livello potenza sonora totale - Total sound power level - Gesamt schalleistungspegel - Niveau totale de puissance sonore - [dB] * | | | | | | | | | |
|---|---|-------|-------|-------|-------|-------|------|------|--------------|
| RPM | Banda d'ottava - Octave band - Oktav-Band - Bande d'octave [Hz] | | | | | | | | Lp* dB(A) |
| | 63 | 125 | 250 | 500 | 1000 | 2000 | 4000 | 8000 | |
| 2000 | 93.6 | 95.6 | 93.6 | 91.6 | 93.6 | 85.6 | 77.6 | 69.6 | 81.3 |
| 2300 | 96.7 | 98.7 | 96.7 | 94.7 | 96.7 | 88.7 | 80.7 | 72.7 | 84.3 |
| 2600 | 99.4 | 101.4 | 99.4 | 97.4 | 99.4 | 91.4 | 83.4 | 75.4 | 87.3 |
| 2900 | 101.8 | 103.8 | 101.8 | 99.8 | 101.8 | 93.8 | 85.8 | 77.8 | 89.3 |
| 3400 | 105.4 | 107.4 | 105.4 | 103.4 | 102.4 | 100.4 | 89.4 | 81.4 | 92.3 |

(*) Al massimo rendimento - At max. efficiency - (Distanza-distance-abstand-distance : 1.5 [m])

Temperatura - Temperature - Temperatur - Température : 15 [°] - Densità - Density - Bezugsdichte - Densité : 1.225 [kg/m³]

Tolleranza sulla portata ±5% - Capacity tolerance ±5% - Tolérance sur le débit ±5% - Fördertoleranz ±5%

I valori relativi alla rumorosità sono riferiti ad una misurazione in campo libero, con una tolleranza di +3 dB(A)

Noise values refer to a free field measurement with a tolerance of +3 dB(A)

Les valeurs relatives à la bruyance se réfèrent à un mesurage en champ libre, avec une tolérance de +3 dB(A)

Die die Geräuschentwicklung betreffenden Werte beziehen sich auf eine Freifeld-Messung bei einer Toleranz von +3 dB(A)

PD² - WD² - GD² - PD² : 0.002 kgm²